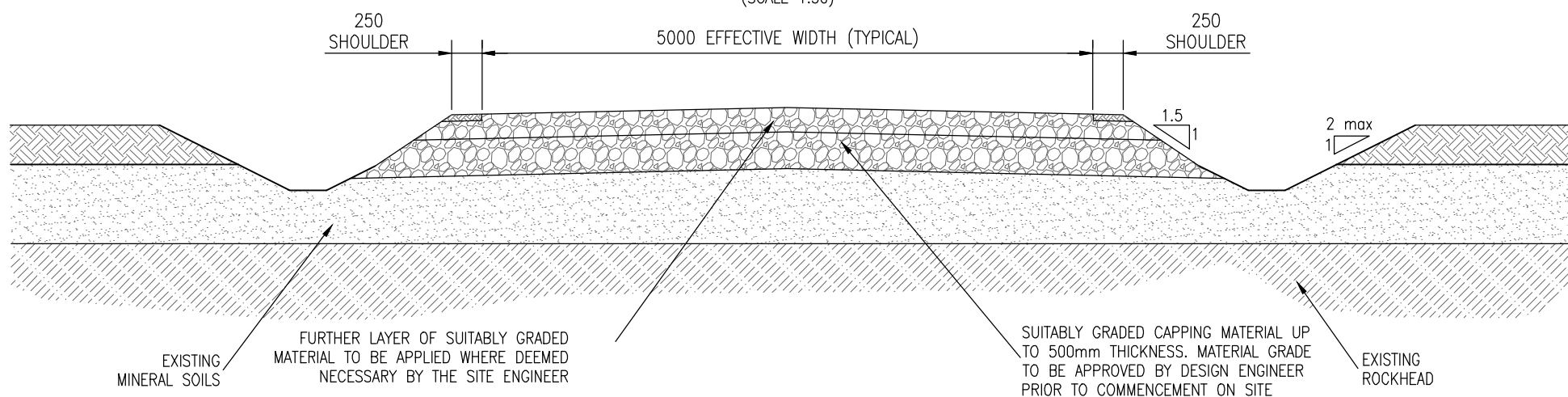


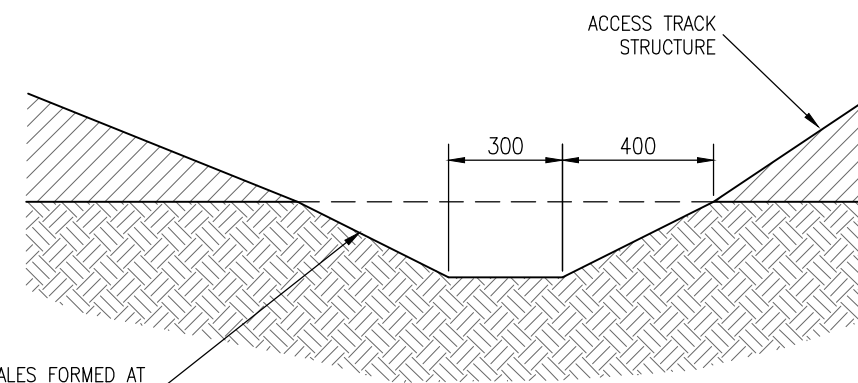
TYPICAL FLOATING TRACK

(SCALE 1:50)



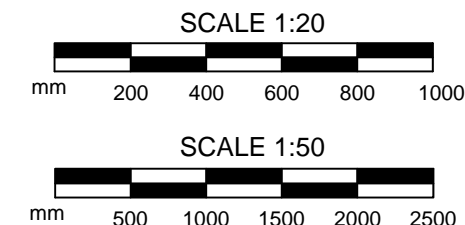
TYPICAL CUT/FILL TRACK ON OVERBURDEN SOIL

(SCALE 1:50)



TYPICAL TRACKSIDE DRAINAGE

(SCALE 1:20)



Rev.	Date	Description	Drawn	Checked	Approved

Client:	
Project Title:	

Project Title:	BEINNEUN 2 WIND FARM
Drawing Title:	TYPICAL TRACK DETAILS

Scale at A3:	AS SHOWN	Status:	Planning
Drawn:	KAB	Checked:	SJGS
Date:	08/07/25	Approved:	SJGS
Date:	09/07/25	Date:	09/07/25
Date:	09/07/25	Date:	09/07/25
Drawing No.:	Figure 4.10		Revision:

FAIRHURST

4th Floor, 300 Bath Street,
GLASGOW, G2 4JR
Tel: 0141 204 8800 www.fairhurst.co.uk